



---

# Operating Manual

## Panther Precision Steel Track



### **Introduction**

Congratulations to your decision of purchasing or renting your Panther Precision Vario Track MK II. We are pleased that you made your decision in favor of our tracks, which combines state-of-the-art technology and many years of experience in manufacturing camera support equipment.

To ensure that you will enjoy working with your Panther Precision Vario Track MK II and that all requirements during shooting can be fulfilled considering utmost safety and reliability, please carefully read this operating manual.

With our best wishes  
Panther GmbH

### **A word to the grips**

Very often the responsibility of the grips is underestimated. By working conscientiously and carefully through well considered acting, he is the one who can avoid damages to property or even accidents with serious consequences for people involved, may it be crew members or even uninvolved persons. The following operating instructions should explain to the grip how to work with the tracks and should also make aware and give advice to take care of possible dangers. Accidents can only be avoided if the dangers are well known and the common sense is activated.

# Safety Instructions

The operating manual has to be read and understood.

The tracks may only be assembled and used by competent staff. Panther regularly offers training seminars in which participants receive a certificate after successfully completing the training. For further information and dates please contact us under +49 89 613 90001.



During folding/unfolding the sleepers there may danger of squeezing. Please observe that there are no bodily parts (especially fingers) nearby the sleepers-hinge. Please use gloves in order to minimise possible injuries.

Please check the surrounding of the tracks for possible dangers.

The underground must be hard and inflexible. The minimum carrying capacity of the underground depends on the total weight of the crane/Dolly. Please observe the technical details (especially weight) within the manuals of respective crane/Dolly.

To calculate the load capacity of the ground the complete crane/Dolly including accessories and persons must be considered.

Please lay tracks only horizontal (water level).

On inclined planes you have to use respective support material.

Support material such as beams, plates etc. have to be fixed in a way that they cannot slip away, fall out or be pushed away.

Please note: Some crane accidents just happen because of faulty and instable sub-base!

For safety reasons it is obligatory that the underground where the tracks and crane/dolly will be used is hard and stable.

Good underground: all hard surfaces, like streets (Asphalt), concrete etc.

Bad underground: soft surfaces, like forest soil, grass, sand, gravel etc.

After assembling of the tracks and before first use you have to provide a standard proof of safety (TÜV).

Please start working with the crane/dolly only after studying the complete instruction manual of the crane/dolly and understanding everything.

The safety advises of the crane/dolly have to be observed carefully.

Lifting, swivel and operating range of the crane/dolly including the complete outrigger must be kept free. The safety distance of -0,5 m to all parts of the surrounding have to be kept free from all sides.

Before starting operation the Crane's/dolly's stability with the maximum tilting moment has to be checked in any case.

Repairs should only be carried out by the manufacturer or persons who received a special training. Panther GmbH offers service seminars which can be held according to your desires. Should you be interested, please contact 089/61390030 (Panther-Service).

Do only use Panther original accessories.

When turning and rotating the crane outrigger and during curve drives, centrifugal forces can appear which can endanger the standing stability when added.

For safety reasons it is obligatory that the crane/dolly stand/drives on absolutely hard, stable and inflexible ground, which is completely leveled.

Please check the tracks every day with regard to function, damages and missing parts. Damaged or missing components have to be replaced by new ones immediately.

Mark the operating range (pan and tilt area) of the crane/dolly with flags, stickers or similar material. Keep all persons out of the operating area in order to avoid anybody to be hurt by the crane/dolly.

Stop working immediately, even if only a part of the tracks is damaged or not mounted the correct way.

# **Check-List for Assembling/ before Operation**

Take your time to securely assemble the tracks, to check and to test before use.

## **Auxiliaries**

- Water level
- Support device

## **Ground**

- No slope: check with water level
- Use sub-base if slope
- Check loading capacity of the ground

## **Sub-base**

- No slope: check with water level
- Check loading capacity of sub-base (plates, boardes etc)

## **Assembly**

- Check whether all necessary parts are available
- Assemble according to instruction
- All quick-locks fixed, end stop available
- Maximum distances of the sub-base must be observed

## **Safety Instructions**

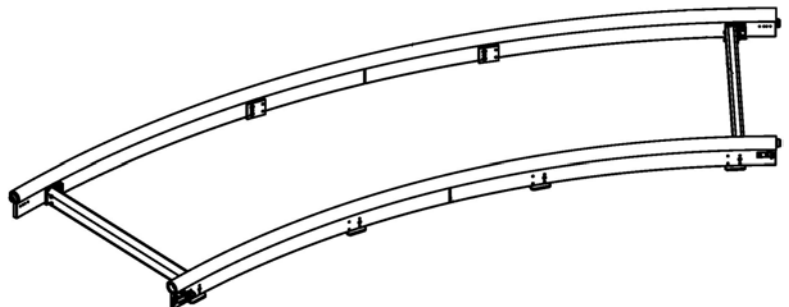
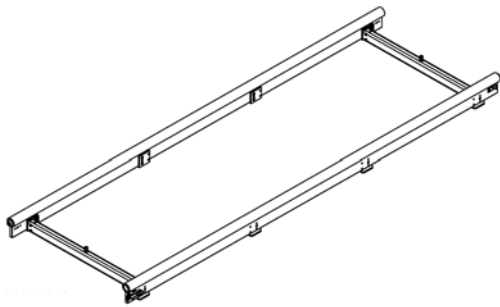
- Observe safety instructions
- Standard proof of safety is available



# Assembly:



Put the track with the **positive** (pin) on the **left side**. Put the track with the **negative** (hole) on the **right side**. Place **sleeper between** these tracks and fix tightly. Never put two positive or negative tracks on one side. S curves can only be assembled with not equal ends (positive/negative). The **stickers** are always fixed on the **outer surface**. The **hook** and/or the **quick lock** must be fixed at the **outer surface**. The 3 m track requires 3 sleepers for dollies and 5 sleepers (accessories) for cranes. The 0.5 m track has no sleeper.



The fixed and telescopic (vario) sleepers can be **folded** for transport.

foldable



The fixation screw is located inside the sleeper in foldable mode. Please pay attention that this screw is screwed completely in. If not, the track can not be opened completely. Besides that, there is the danger of damaging the hinge when unfolding.

non foldable



The sleepers can be fixed with the screw (arrow). Unscrew the fixation screw and unfold the track completely. Put fixation screw through the beam and screw into sleeper.

# Assembling Instruction:

## 1. GROUND

Check whether the floor is even. In case of a gradient of more than 1 % a special base must be used. Please check loading capacity of the ground.

The ground must be hard and inflexible. The minimum carrying capacity of the ground/base depends on the total weight of the crane/dolly. Please observe the technical details (especially weight) within the manuals of respective crane/Dolly.

To calculate the load capacity of the ground the complete crane/dolly including accessories and persons must be considered.



## 2. Fixing of the Track Width

**To achieve maximum stability of the dolly/crane the widest possible track width has to be used.**

### 36cm width



You can achieve a width of 36 cm by partly folding of the track.

Using the 0.5 m tracks the folded (shortened) ends can be prolonged/adjusted.



The track can be fixed in folded position with the 36/62cm adapter. Put the adapter underneath the beam in its corresponding width and screw it tight.

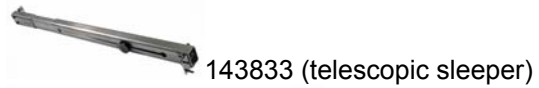
### 62cm width



Using the 62 cm or vario sleeper the completely unfolded track has a width of 62 cm.



### 100cm width



143833 (telescopic sleeper)



138969  
(fixed 100cm sleeper)

The telescopic sleeper can be extended to 100 cm by opening of the screw at the side of the sleeper. Extend the sleeper to a width of 100 cm and fix the screw. Pay attention to the fact that the screw fits into the appropriate section.

Using the 100 cm or telescopic sleeper (extended) the track has a width of 100 cm in case of completely unfolded tracks.



You can achieve a width of 62 cm by partly folding of the track (with 100 cm sleeper)



The track can be fixed in folded position with the 36/62cm adapter. Put the extended (telescopic) adapter underneath the beam in its corresponding width and screw it tight.

### 3. Sub-Base

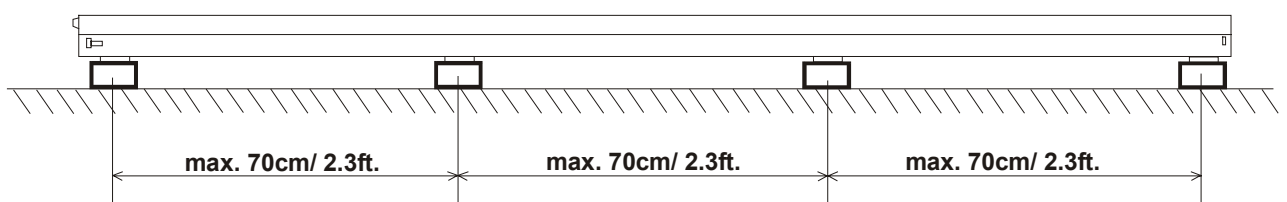
The sub-base (e.g. PVC plates, boards etc) is the prolongation of the ground and must have the same loading capacity as the ground.

Assemble sub-base carefully and without any slope. The tracks must be assembled carefully and without any slope. Special attention has to be paid to the loose supporting material (e.g. wedges) so that they can neither slip away nor be displaced by mistake. The sub-base must be weatherproofed. Wooden sub-base material for example could be softened during rain and endanger standing security.



At each angle support the track has to be sub-based.

In no case the **maximum distance of the sub-base** must be exceeded. It must be **70 cm** within the precision steel track.



#### 4. TRACK ENDS

At the end of the tracks clamps or similar security limiters must be fixed in order to avoid falling down of the crane/dolly. The crane/dolly must be protected from unintentional use.



#### 5. TO CONNECT TRACKS



- Any quantity of tracks can be connected.
- Connect and lock the tracks as shown above.
- At any track connection the track must be sub-based.

#### 6. STARTER RAMP











The universal ramp is used to run the unloaded crane/dolly onto the track. Connect and lock the universal ramp as shown.

In case the track has an underlay higher than 1 cm the universal ramp must not be used.

**The maximum payload is 300 kgs.** With a higher load the universal ramp has to be sub-based accordingly.



## 7. TRACK ADAPTER

 <p style="text-align: right;">123959</p> <p>Adapted from Precision Vario Track MK II To Precision Vario Track (black)</p>	 <p style="text-align: right;">123968</p> <p>Adapted from Precision Vario Track MK II To Tube Track</p>	 <p style="text-align: right;">139226</p> <p>Adapted from Precision Steel Track to 1. Precision Vario Track MK II 2. Tube Track 3. Master Track (with 144773)</p>  <p>For 1. and 2. the the cap must be assembled accordingly. For 3. the Master Track Adapter is used.</p>	
 <p style="text-align: right;">100541</p> <p>Adapted from Tube Track To Tube Track (necessary for "S" curve)</p>	 <p style="text-align: right;">100542</p> <p>Adapted from Tube Track To Tube Track (necessary for "S" curve)</p>	 <p style="text-align: right;">142425</p> <p>Adapted from Precision Steel Track To Moy Track</p>	 <p style="text-align: right;">144773</p> <p>Adapted from Precision Steel Track To MasterTrack (with 139226)</p>

# Operating:

## 1. Payload

The Precision Steel Track has a **maximum payload of 2500 kgs** divided to a minimum of 8 track wheels (4x2 pc).

## 2. Security Instructions:

During operation please pay attention that no hard or loose objects (e.g. cables) can get under the wheels so that the standing and driving stability could be endangered.

Mark the operating range (pan and tilt area) of the crane/dolly with flags, stickers or similar material. Keep all persons out of the operating area in order to avoid anybody to be hurt by the crane/dolly.

Please start working with the crane/dolly only after studying the complete instruction manual of the crane/dolly and understanding everything. Safety advices of the crane/dolly must be observed carefully.

After assembling of the tracks and before first use of the tracks you have to provide a standard proof of safety (e.g. TÜV).

Lifting, swivel and operating range of the crane/dolly including the complete outriggers must be kept free. The safety distance of  $\geq 0.5$  m to all parts of the surrounding have to be kept free from all sides.

Before starting operation of the crane/dolly the stability with the maximum tilting moment has to be checked in any case.

Do not step on the track. These could be scratched and driving quality could be injured.

Do not step on the runners since these could be bent.

## 3. CURVES



During use of cranes on curves special attention has to be taken because of high tilting danger.

Because of centrifugal forces in curves the highest possible speed of 0.5 m/sec. may not be exceeded.

Additionally please pay attention to the respective instruction manual of the crane/dolly.



**V wheels** (e.g. 129156) and **H wheels** (e.g. 138840) are suitable for running on Precision Vario Tracks with an inner diameter of **3,0 m (20 ft)** and larger.



## Transport:



For a compact transport the tracks can be folded.

If a fixed track was used fixed (fixation screw at the hinge) this screw must be removed.

In order to fold the track completely please open at least one telescopic track (only necessary with curves). In case the curved track does not contain telescopic runners a complete folding of the track is not possible.



139298



109413

Protection caps and protection hoses are available for protecting the tracks from damage.

### Attention:

Pay attention to the secure fixing of the tracks during transport. Falling down tracks may cause severe damages/injuries!